



**BONN HUNGARY
ELECTRONICS**

**LOW NOISE
PHASE LOCKED DRO
WITH EXTERNAL REFERENCE**

**BODX
Family
NDS # 205**

an ISO 9001 Certified Company

- VERY LOW PHASE NOISE
- LOW HARMONICS & SPURIOUS
- COMPACT SIZE

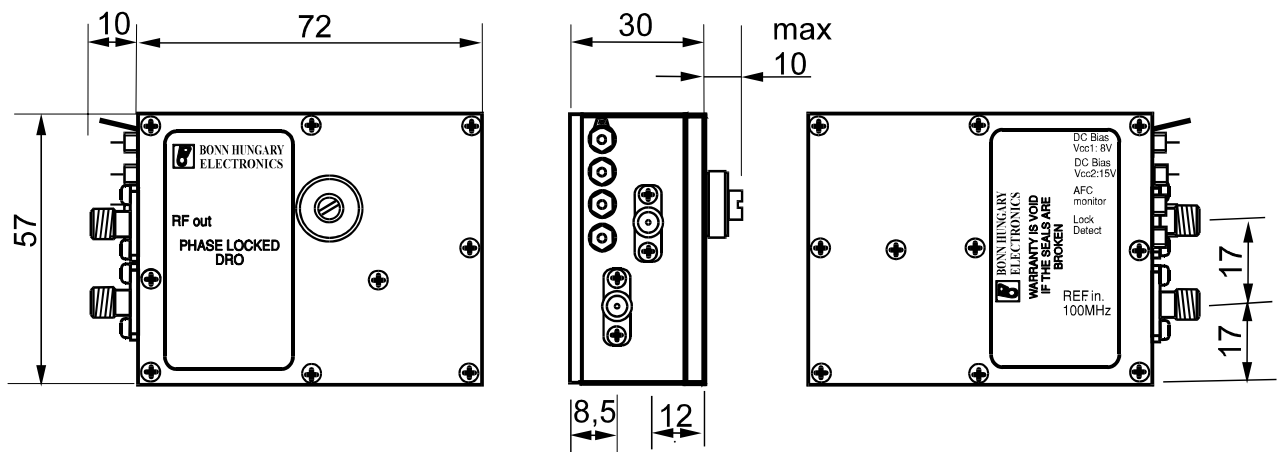


ELECTRICAL CHARACTERISTICS :

Operating Frequency Range	5 - 13 GHz
Output Power	+10 dBm
External Reference Frequency	10 MHz (optionally 100 MHz)
External Reference Level	+10 dBm
Harmonics	< - 25 dBc
Spurious	< - 70 dBc
Phase Noise @ 13 GHz	< - 95 dBc/Hz @ 1 kHz
	< - 105 dBc/Hz @ 10 kHz
	< - 105 dBc/Hz @ 100 kHz
	< - 130 dBc @ 1 MHz
DC Supply	+ 8 V / 260 mA, + 15 V / 30 mA
Operating temperature range	- 30 to + 70 °C

Specifications are subject to change without notice.

OUTLINE DIMENSIONS (mm):



BONN Elektronik 

RF Systems, Instruments and Components

Rudolf-Diesel-Str.18 · D-85521 Ottobrunn · Tel +49 (0)89/608 754-0 · Fax +49 (0)89/608 754-99
email: info@bonn-elektronik.com · home: www.bonn-elektronik.com