



**BONN HUNGARY  
ELECTRONICS**

**MICROWAVE X-BAND  
DOPPLER UNIT**

**BU CX**  
Family  
NDS # 951

an ISO 9001 Certified Company



- CW RADAR
- PROCESS CONTROL
- DOPPLER MEASUREMENTS
- EASY INSTALLATION
- INTEGRATED MICROSTRIP ANTENNA

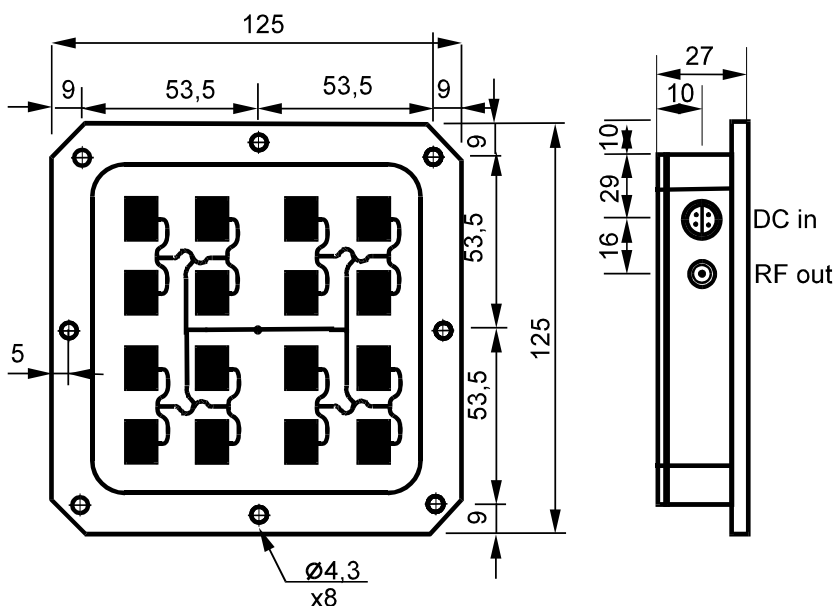
This Microwave Doppler Module is intended for use in industrial, military and scientific applications. It's compact size makes it possible to use where small size is prime requirement. Since the flat microstrip antenna is integrated onto the front-end, this unit can replace traditional horn designs. The full solid state circuitry guarantees long and trouble free service.

**ELECTRICAL CHARACTERISTICS :**

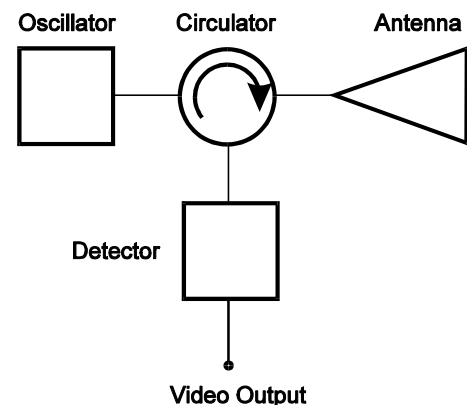
Operating Frequency	9.55 GHz
Frequency Stability	400 ppm
Output Power	min. 50 mW
Detector Tangential Sensitivity	better than - 48 dBm
Video Bandwidth	min. 1 MHz
Antenna Gain	16 dB
Antenna Polarity	linear
DC Supply	+15 V / 200 mA
Operating temperature range	-30 to +70 °C

Specifications are subject to change without notice.

**OUTLINE DIMENSIONS (mm):**



**FUNCTIONAL BLOCK DIAGRAM**



**BONN Elektronik**  
RF Systems, Instruments and Components



Rudolf-Diesel-Str.18 · D-85521 Ottobrunn · Tel +49 (0)89/608 754-0 · Fax +49 (0)89/608 754-99  
email: info@bonn-elektronik.com · home: www.bonn-elektronik.com