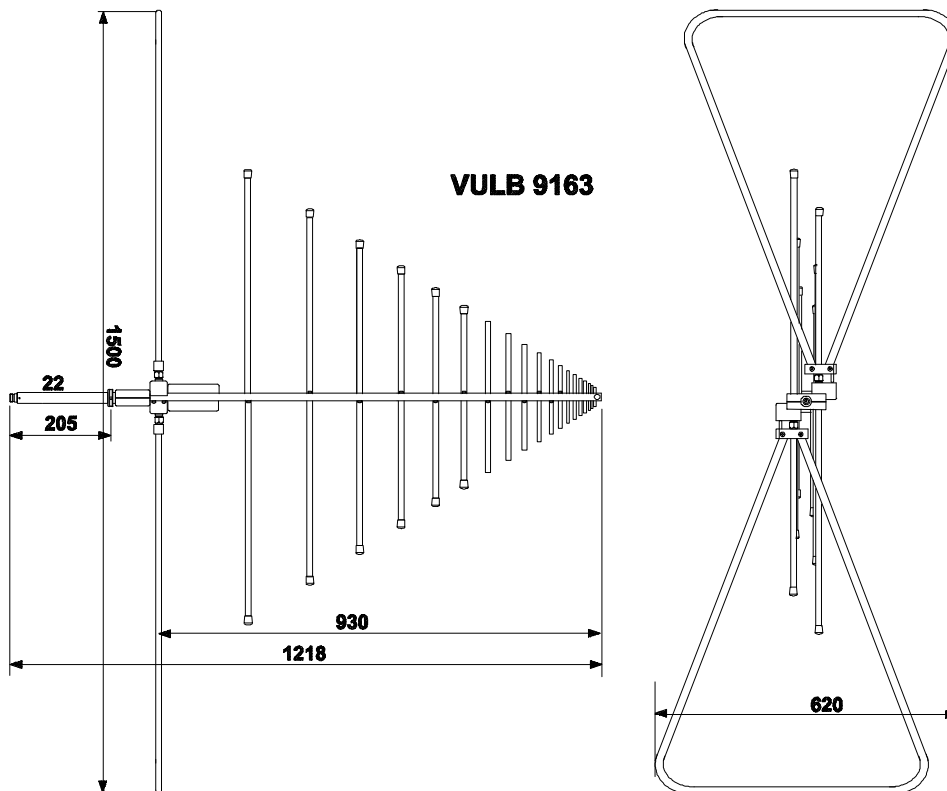


SCHWARZBECK MESS - ELEKTRONIK

An der Klinge 29 D-69250 Schönau Tel.: 06228/1001 Fax.: (49)6228/1003

VULB 9163 Breitband TRILOG Antenne 30 - 3000 MHz, 100 W VULB 9163 TRILOG Broadband Antenna 30-3000 MHz, 100 W



Technische Daten:

VULB 9163

Specifications:

Bauart:

Linear polarisierte Logarithmisch Periodische Breitbandantenne mit 4:1 Breitbanddipol in Aluminiumausführung für Empfangs- und Sendeanwendungen

Type:

Linear polarized Logarithmic Periodic Broadband Antenna combined with a 4:1 Broadband Dipole (Aluminium tubing) for Receive and Transmit Applications

Frequenzbereich, nominell:

30 MHz...3 GHz

Nominal Frequency Range:

Nutzbarer Frequenzbereich:

25 MHz ... 4 GHz

Usable Frequency Range:

Isotropgewinn im LP-Bereich:

6.4+/- 1.2 dBi

Isotropic Gain (LP-Section):

Antennenfaktor:

7 ... 34 dB/m

Antenna Factor:

Impedanz, nominell:

50 Ω

Nominal Impedance:

Stehwellenverhältnis SWR typisch:

<1.5

Standing Wave Ratio SWR typical:

Vor- Rückverhältnis:

20 dB (f > 150 MHz)

Front to Back Ratio:

Polarisationsentkopplung:

>20 dB (30 MHz...1 GHz)

Cross Polarisation:

3 dB Öffnungswinkel typ.(E-Ebene):

45°-65° (f > 150 MHz)

3 dB Beamwidth typ. (E-Plane):

3 dB Öffnungswinkel typ.(E-Ebene):

≈78° (f < 150 MHz)

3 dB Beamwidth typ. (E-Plane):

3 dB Öffnungswinkel typ.(H-Ebene):

90°-120° (f > 150 MHz)

3 dB Beamwidth typ. (H-Plane):

Max. Eingangsleistung:

200 W (intermitt.)

Max. Input Power:

100 W (cont.)

Anschlußart: N-Buchse

N-Connector female

Halterung: 22 mm Rohr, Rastring

Mount: 22 mm Tube, Indexing Ring

Breite x Länge x Dicke:

1500 x 930 (1218) x 620 mm

Width x Length x Thickness:

Gewicht:

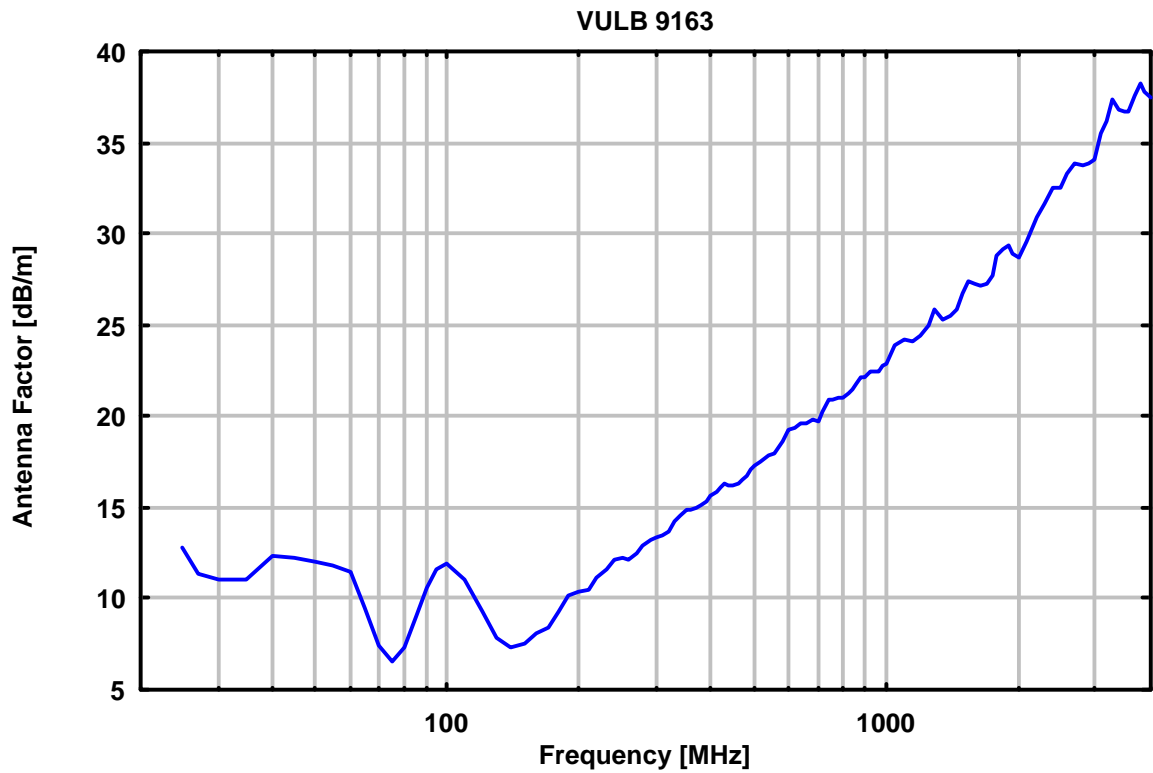
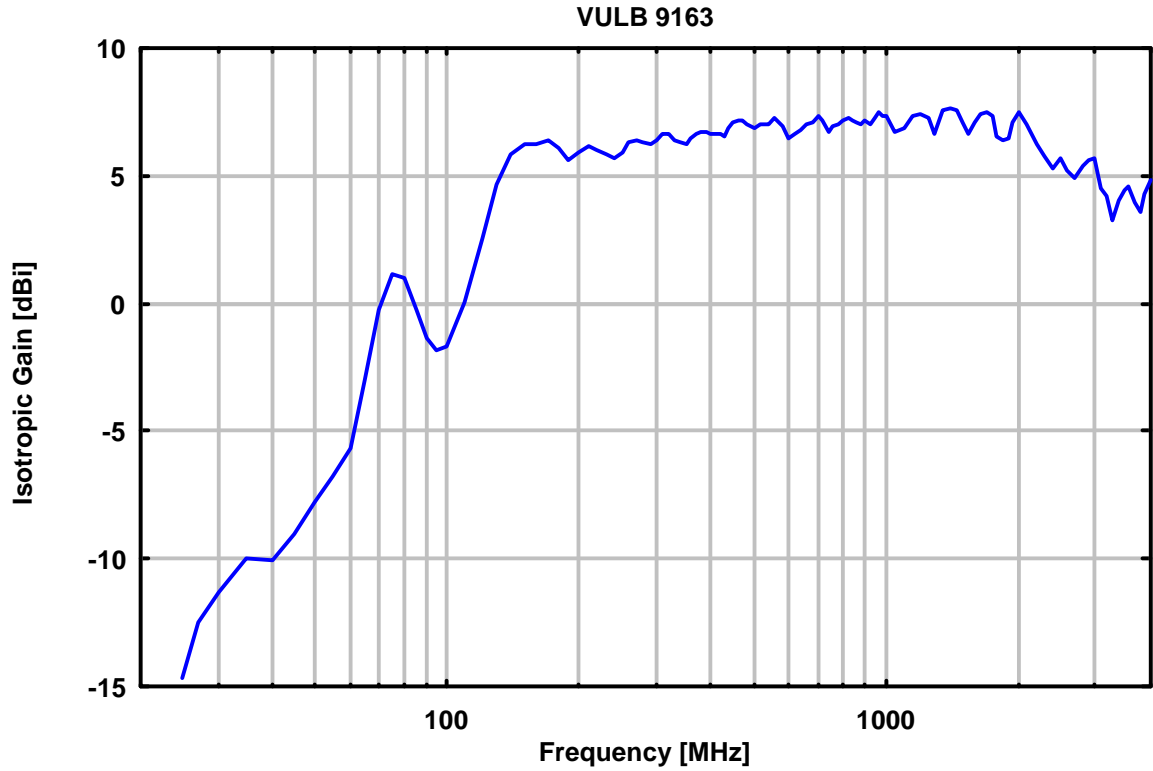
3.1 kg

Weight:

SCHWARZBECK MESS - ELEKTRONIK

An der Klinge 29 D-69250 Schönau Tel.: 06228/1001 Fax.: (49)6228/1003

VULB 9163 Breitband TRILOG Antenne 30 - 3000 MHz, 100 W
VULB 9163 TRILOG Broadband Antenna 30-3000 MHz, 100 W



SCHWARZBECK MESS - ELEKTRONIK

An der Klinge 29 D-69250 Schönau Tel.: 06228/1001 Fax.: (49)6228/1003

VULB 9163 Kalibrierdaten (Fernfeld) VULB 9163 Calibration Data (Farfield)

<i>Frequency</i>	<i>Distance</i>	<i>Wavelength</i>	<i>Attenuation</i>	<i>Gain(Isotr.)</i>	<i>Gain(Dipole)</i>	<i>Ant.-Factor</i>
Frequenz	Abstand	Wellenlänge	Dämpfung	Isotropgewinn	Gewinn über Dipol	Ant.-Wandlungsmaß
MHz	m	m	dB	dBi	dBd	dB/m
25.00	5.00	12.00	43.70	-14.66	-16.81	12.84
27.00	5.00	11.11	40.05	-12.50	-14.65	11.35
30.00	5.00	10.00	38.60	-11.32	-13.47	11.08
35.00	5.00	8.57	37.20	-9.95	-12.10	11.05
40.00	5.00	7.50	38.60	-10.07	-12.22	12.33
45.00	5.00	6.67	37.50	-9.01	-11.16	12.29
50.00	5.00	6.00	36.00	-7.80	-9.95	12.00
55.00	5.00	5.45	34.70	-6.74	-8.89	11.76
60.00	5.00	5.00	33.30	-5.66	-7.81	11.44
65.00	5.00	4.62	28.64	-2.98	-5.13	9.46
70.00	5.00	4.29	23.89	-0.28	-2.43	7.41
75.00	5.00	4.00	21.58	1.17	-0.98	6.55
80.00	5.00	3.75	22.50	0.99	-1.16	7.29
85.00	5.00	3.53	25.50	-0.25	-2.40	9.05
90.00	5.00	3.33	28.18	-1.34	-3.49	10.64
95.00	5.00	3.16	29.59	-1.81	-3.96	11.58
100.00	5.00	3.00	29.80	-1.69	-3.84	11.91
110.00	5.00	2.73	27.15	0.05	-2.10	11.00
120.00	5.00	2.50	22.85	2.58	0.43	9.23
130.00	4.86	2.31	19.17	4.64	2.49	7.86
140.00	4.73	2.14	17.15	5.86	3.71	7.28
150.00	4.63	2.00	16.75	6.26	4.11	7.48
160.00	4.53	1.88	17.10	6.27	4.12	8.03
170.00	4.45	1.76	17.24	6.39	4.24	8.44
180.00	4.38	1.67	18.21	6.08	3.93	9.25
190.00	4.31	1.58	19.54	5.58	3.43	10.21
200.00	4.25	1.50	19.18	5.93	3.77	10.32
210.00	4.20	1.43	18.98	6.18	4.03	10.48
220.00	4.15	1.36	19.69	5.98	3.83	11.09
230.00	4.10	1.30	20.24	5.85	3.70	11.61
240.00	4.06	1.25	20.78	5.72	3.57	12.10
250.00	4.03	1.20	20.60	5.95	3.80	12.23
260.00	3.99	1.15	20.07	6.35	4.19	12.17
270.00	3.96	1.11	20.20	6.41	4.26	12.44
280.00	3.93	1.07	20.69	6.29	4.14	12.87
290.00	3.90	1.03	21.01	6.25	4.10	13.22
300.00	3.88	1.00	20.91	6.42	4.27	13.34
320.00	3.83	0.94	20.93	6.64	4.49	13.69
340.00	3.79	0.88	22.01	6.31	4.16	14.54
360.00	3.75	0.83	22.17	6.44	4.29	14.91
380.00	3.72	0.79	22.04	6.70	4.55	15.11
400.00	3.69	0.75	22.55	6.63	4.48	15.63
420.00	3.66	0.71	22.97	6.60	4.45	16.08
440.00	3.64	0.68	22.76	6.88	4.73	16.21
460.00	3.61	0.65	22.47	7.19	5.04	16.28
480.00	3.59	0.63	23.08	7.05	4.90	16.80
500.00	3.58	0.60	23.73	6.88	4.73	17.32
<i>Frequency</i>	<i>Distance</i>	<i>Wavelength</i>	<i>Attenuation</i>	<i>Gain(Isotr.)</i>	<i>Gain(Dipole)</i>	<i>Ant.-Factor</i>
MHz	m	m	dB	dBi	dBd	dB/m

VULB 9163 Kalibrierdaten (Fernfeld)
VULB 9163 Calibration Data (Farfield)

<i>Frequency</i>	<i>Distance</i>	<i>Wavelength</i>	<i>Attenuation</i>	<i>Gain(Isotr.)</i>	<i>Gain(Dipole)</i>	<i>Ant.-Factor</i>
Frequenz	Abstand	Wellenlänge	Dämpfung	Isotropgewinn	Gewinn über Dipol	Ant.-Wandlungsmaß
MHz	m	m	dB	dBi	dBd	dB/m
500.00	3.58	0.60	23.73	6.88	4.73	17.32
520.00	3.56	0.58	23.73	7.03	4.88	17.51
540.00	3.54	0.56	24.09	6.99	4.84	17.88
560.00	3.53	0.54	23.81	7.27	5.12	17.91
580.00	3.51	0.52	24.76	6.93	4.78	18.56
600.00	3.50	0.50	25.95	6.47	4.32	19.31
620.00	3.49	0.48	25.80	6.67	4.52	19.40
640.00	3.48	0.47	25.86	6.76	4.61	19.58
660.00	3.47	0.45	25.52	7.05	4.90	19.56
680.00	3.46	0.44	25.66	7.10	4.95	19.77
700.00	3.45	0.43	25.37	7.36	5.21	19.76
720.00	3.44	0.42	25.97	7.17	5.02	20.20
740.00	3.43	0.41	27.14	6.69	4.54	20.91
760.00	3.42	0.39	26.85	6.95	4.79	20.89
780.00	3.41	0.38	26.85	7.05	4.90	21.01
800.00	3.41	0.38	26.72	7.21	5.06	21.07
820.00	3.40	0.37	26.81	7.27	5.12	21.23
840.00	3.39	0.36	27.09	7.22	5.07	21.48
860.00	3.39	0.35	27.57	7.08	4.93	21.83
880.00	3.38	0.34	27.94	6.99	4.83	22.12
900.00	3.38	0.33	27.80	7.15	5.00	22.16
920.00	3.37	0.33	28.17	7.05	4.90	22.45
940.00	3.36	0.32	27.91	7.27	5.12	22.42
960.00	3.36	0.31	27.70	7.46	5.31	22.41
980.00	3.35	0.31	28.16	7.31	5.16	22.73
1000.00	3.35	0.30	28.21	7.37	5.22	22.85
1100.00	3.33	0.27	29.97	6.87	4.72	24.17
1200.00	3.31	0.25	29.59	7.42	5.27	24.38
1300.00	3.30	0.23	31.82	6.63	4.48	25.87
1400.00	3.29	0.21	30.44	7.63	5.48	25.51
1500.00	3.28	0.20	32.15	7.06	4.91	26.68
1600.00	3.27	0.19	32.65	7.08	4.93	27.23
1700.00	3.26	0.18	32.29	7.51	5.36	27.32
1800.00	3.25	0.17	34.70	6.54	4.39	28.78
1900.00	3.24	0.16	35.28	6.48	4.33	29.32
2000.00	3.24	0.15	33.67	7.50	5.35	28.74
2100.00	3.23	0.14	35.01	7.03	4.88	29.63
2200.00	3.23	0.14	37.02	6.22	4.07	30.84
2300.00	3.22	0.13	38.30	5.77	3.62	31.68
2400.00	3.22	0.13	39.68	5.26	3.11	32.56
2500.00	3.22	0.12	39.18	5.68	3.53	32.50
2600.00	3.21	0.12	40.40	5.24	3.09	33.28
2700.00	3.21	0.11	41.30	4.95	2.80	33.90
2800.00	3.21	0.11	40.76	5.37	3.22	33.79
2900.00	3.20	0.10	40.62	5.59	3.44	33.88
3000.00	3.20	0.10	40.67	5.71	3.56	34.05
3200.00	3.20	0.09	44.27	4.18	2.03	36.14
3400.00	3.19	0.09	45.09	4.03	1.88	36.82
3600.00	3.19	0.08	44.37	4.63	2.48	36.71
3800.00	3.18	0.08	46.91	3.59	1.44	38.22
4000.00	3.18	0.08	44.92	4.81	2.66	37.45
<i>Frequency</i>	<i>Distance</i>	<i>Wavelength</i>	<i>Attenuation</i>	<i>Gain(Isotr.)</i>	<i>Gain(Dipole)</i>	<i>Ant.-Factor</i>
MHz	m	m	dB	dBi	dBd	dB/m